

# VALVES SERIES 70, SOLENOID/PNEUMATIC



TECHNICAL DATA	1/8"	1/4"	3/8"	1/2"
Operating pressure:				
• monostable	bar from 2.5 to 10			
• bistable	bar from 1 to 10			
• asserved	bar from vacuum to 10			
Minimum pilot pressure	bar 2.5			
Operating temperature range	°C from -10 to +60			
Nominal diameter	mm 5	7.5	13.3	15
Conductance C	Nl/min · bar 121.43	264.26	505.52	971.43
Critical ratio b	bar/bar 0.32	0.27	0.32	0.43
Flow rate at 6 bar ΔP 0.5 bar	Nl/min 400	750	1560	3200
Flow rate at 6 bar ΔP 1 bar	Nl/min 550	1100	2150	4600
TRA / TRR monostable at 6 bar	ms 15/35	19/45	21/72	36/60
TRA / TRR bistable at 6 bar	ms 20/20	21/21	18/18	30/30
Hand operator	bistable			
Coil voltage values	12; 24 VDC - 24; 110; 220 VAC 50/60Hz			
Power	2 W (DC) 3VA (AC)			
Voltage tolerance	%	from -10 to +15		
Insulation class	F 155			
Maximum coil nut torque	Nm	1		



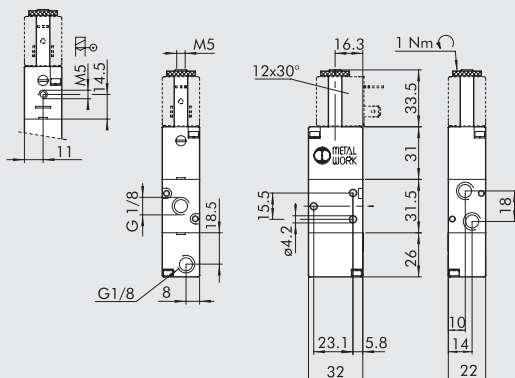
## SYNOPTIC, SIZES AND VERSION

SOV	2	3	SO	S	NC
FAMILY	DIMENSIONS	FUNCTION	OPERATORS 14	RESETTING (12)	FURTHER DETAILS
SOV solenoid/pneumatic	2 1/8" 3 1/4" C 3/8" 4 1/2"	3 3/2 5 5/2 6 5/3	SO solenoid SE solenoid assisted	S mechanical springs B bistable D differential P pneumatic ◆ A pneumatic/mechanical spring L pneumatic spring	NC normally closed NO normally open CC closed centres OC open centres PC pressure centres OO no indication SP special ▲ ML hand lever operator

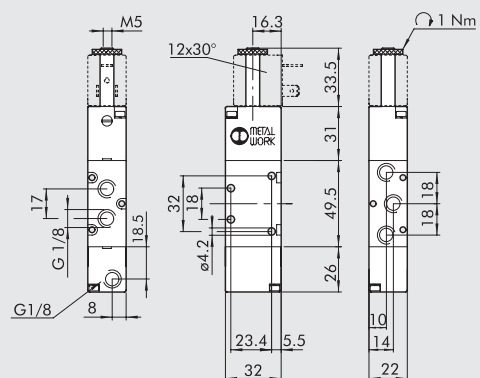
- ◆ On demand
- ▲ Only available for size 1/8", 1/4" and 3/8"

## VALVES SERIES 70, SOLENOID/PNEUMATIC, PILOT-ASSISTED SOLENOID/PNEUMATIC, 1/8"

### MONOSTABLE 3/2 NC, 1/8" PNEUMATIC RETURN



### MONOSTABLE 5/2, 1/8" PNEUMATIC RETURN

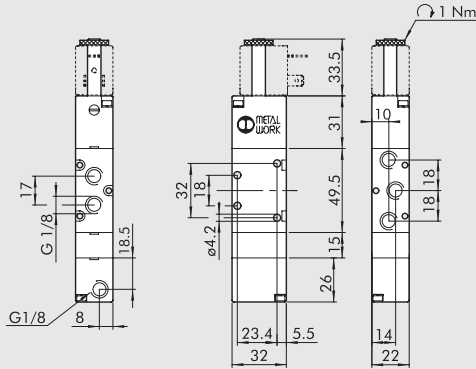


Symbol	Code	Abbrev.	Weight [g]
	7010020800	SOV 23 SOP NC	114
	7010020510	SOV 23 SEP NC	114

Symbol	Code	Abbrev.	Weight [g]
	7010021501	SOV 25 SOP OO	142

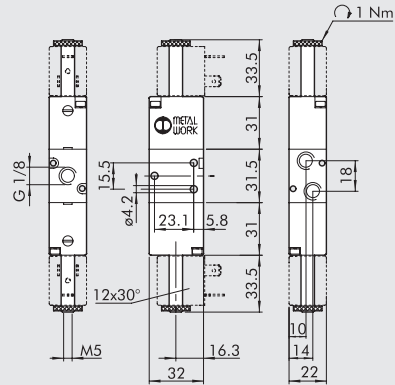
Please contact our sales offices for further information and quotation.

MONOSTABLE 5/3, 1/8" PNEUMATIC RETURN



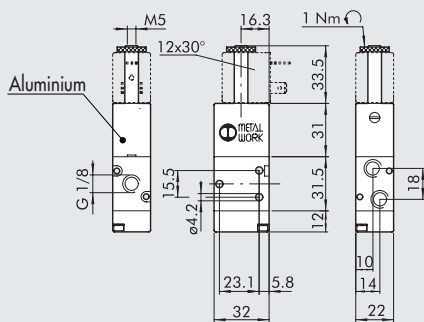
Symbol	Code	Abbrev.	Weight [g]
	7010022800	SOV 26 SOP CC	204

BISTABLE DIFFERENTIAL 3/2, 1/8"



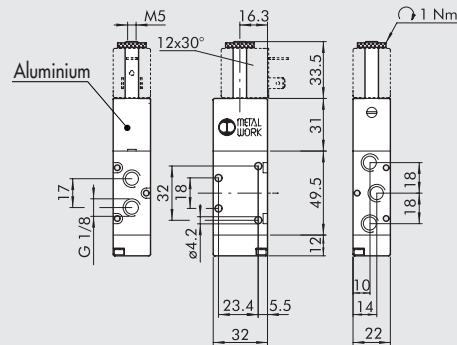
Symbol	Code	Abbrev.	Weight [g]
	8287210	SOV 23 SOD NC	135

MONOSTABLE 3/2, NC 1/8" HAND-OPERATED ON THE FEED SIDE



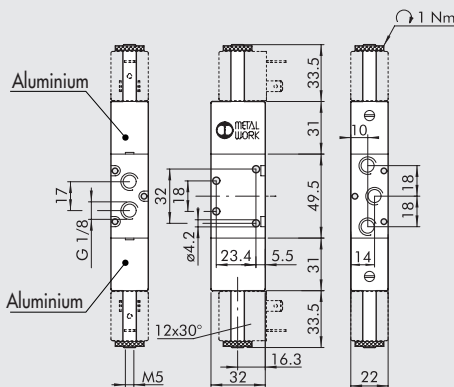
Symbol	Code	Abbrev.	Weight [g]
	8830195	SOV 23 SOS SP	100

MONOSTABLE 5/2, 1/8" HAND-OPERATED ON THE FEED SIDE



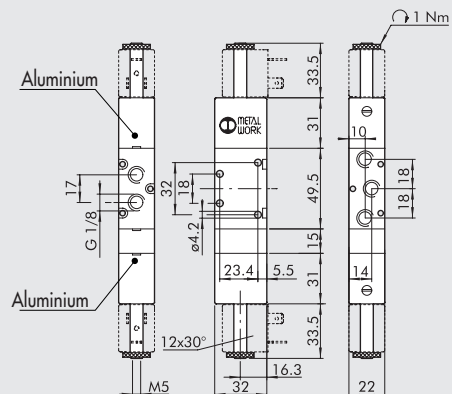
Symbol	Code	Abbrev.	Weight [g]
	8286807	SOV 25 SOS SP	128

BISTABLE 5/2, 1/8" HAND-OPERATED ON THE FEED SIDE



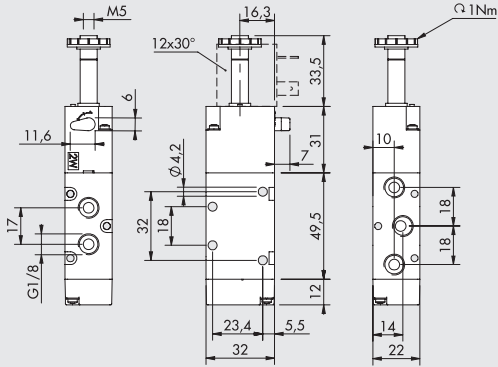
Symbol	Code	Abbrev.	Weight [g]
	8286808	SOV 25 SOB SP	160

MONOSTABLE 5/3, 1/8" HAND-OPERATED ON THE FEED SIDE



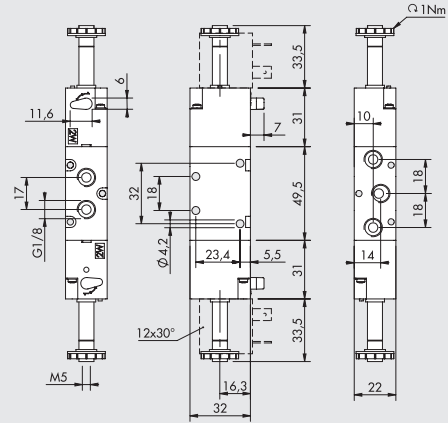
Symbol	Code	Abbrev.	Weight [g]
	8286911	SOV 26 SOS SP	190

**MONOSTABLE 5/2 1/8" HAND LEVER OPERATOR**



Symbol	Code	Abbrev.	Weight [g]
	88291AT	SOV 25 SOS ML	128

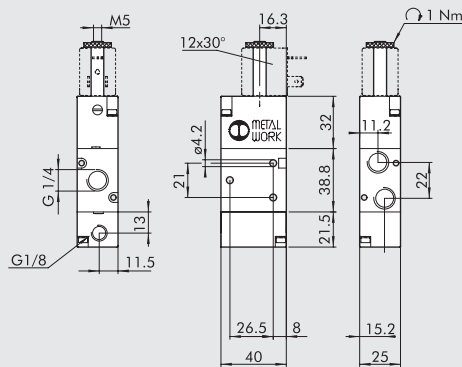
**BISTABLE 5/2 1/8" HAND LEVER OPERATOR**



Symbol	Code	Abbrev.	Weight [g]
	88291AV	SOV 25 SOB ML	160

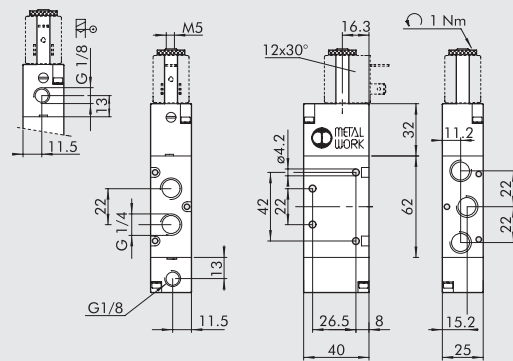
**VALVES SERIES 70, SOLENOID/PNEUMATIC, PILOT-ASSISTED SOLENOID/PNEUMATIC, 1/4"**

**MONOSTABLE 3/2 NC, 1/4" PNEUMATIC RETURN**



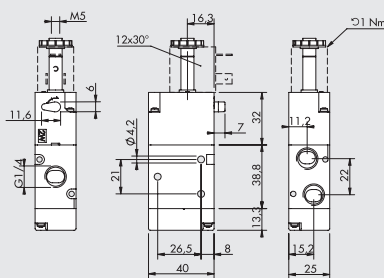
Symbol	Code	Abbrev.	Weight [g]
	7020020800	SOV 33 SOP OO	166

**MONOSTABLE 5/2, 1/4" PNEUMATIC RETURN**



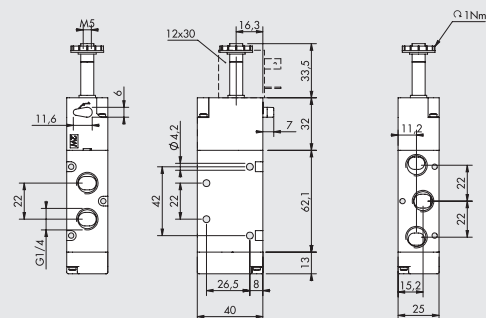
Symbol	Code	Abbrev.	Weight [g]
	7020021700	SOV 35 SOP OO	214
	7020021800	SOV 35 SEP OO	214

**MONOSTABLE 3/2 NC 1/4" HAND LEVER OPERATOR**



Symbol	Code	Abbrev.	Weight [g]
	88291C1	SOV 33 SOS NC ML	152

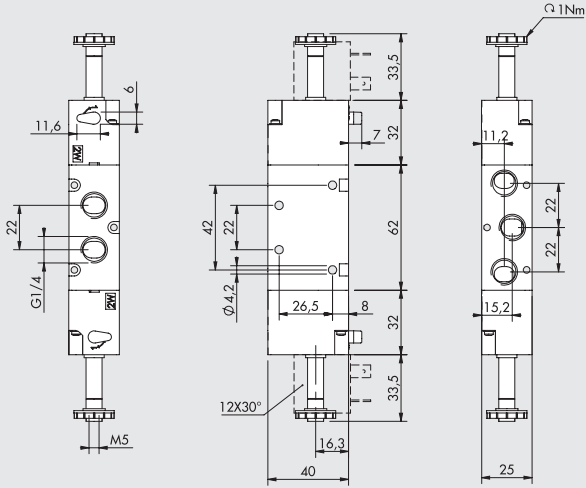
**MONOSTABLE 5/2 1/4" HAND LEVER OPERATOR**



Symbol	Code	Abbrev.	Weight [g]
	88291AR	SOV 35 SOS ML	200

Please contact our sales offices for further information and quotation.

**BISTABLE 5/2 1/4" HAND LEVER OPERATOR**

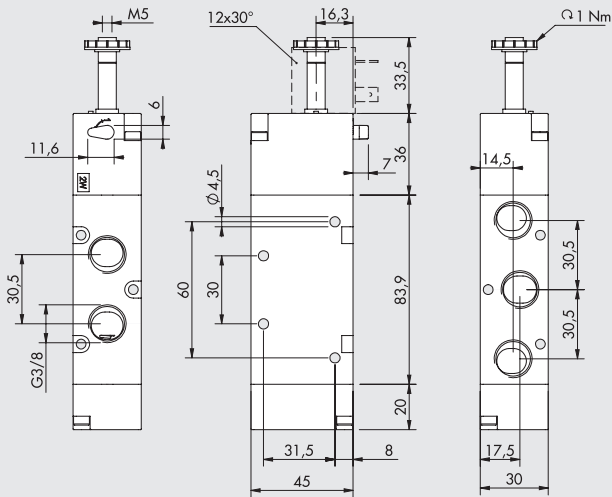


Symbol	Code	Abbrev.	Weight [g]
	88291AS	SOV 35 SOB ML	236

**NOTES**

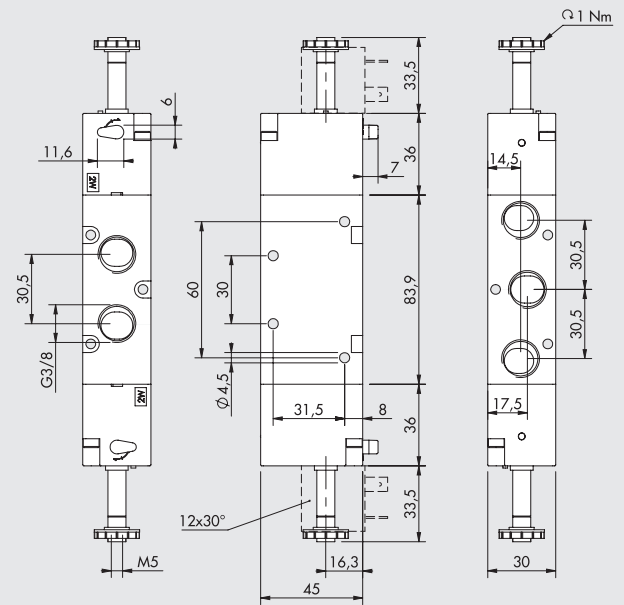
**VALVES SERIES 70, SOLENOID/PNEUMATIC, 3/8"**

**MONOSTABLE 5/2 3/8" HAND LEVER OPERATOR**



Symbol	Code	Abbrev.	Weight [g]
	8827298	SOV C5 SOS ML	361

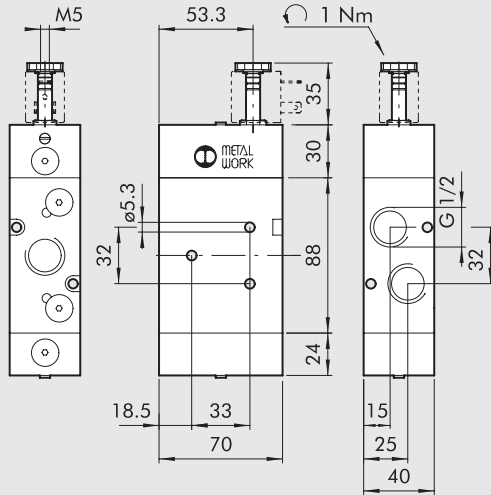
**BISTABLE 5/2 3/8" HAND LEVER OPERATOR**



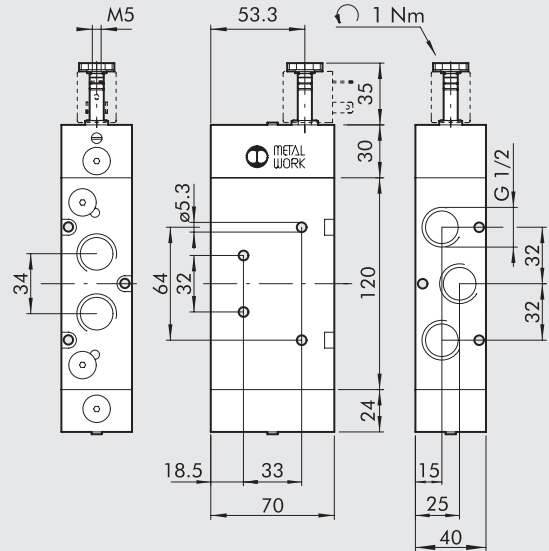
Symbol	Code	Abbrev.	Weight [g]
	88272A5	SOV C5 SOB ML	400

**VALVES SERIES 70, SOLENOID/PNEUMATIC, 1/2"**

**MONOSTABLE 3/2 NO, 1/2" PNEUMATIC SPRING**



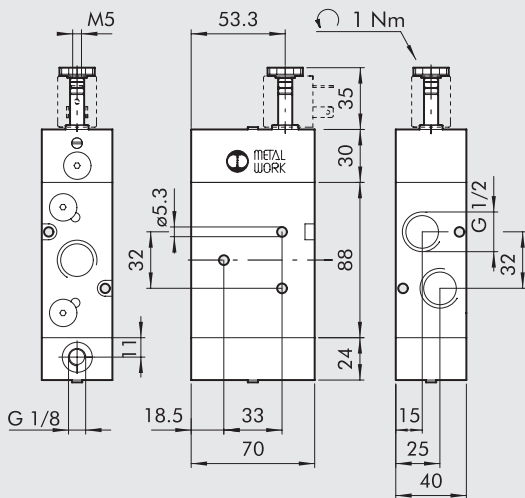
**MONOSTABLE 5/2, 1/2" PNEUMATIC SPRING**



Symbol	Code	Abbrev.	Weight [g]
	7030020820	SOV 43 SOL NO	940

Symbol	Code	Abbrev.	Weight [g]
	7030021820	SOV 45 SOL OO	1120

**MONOSTABLE 3/2 NC, 1/2" PNEUMATIC RETURN**



Symbol	Code	Abbrev.	Weight [g]
	7030020201	SOV 43 SOP NC	930

**NOTES**